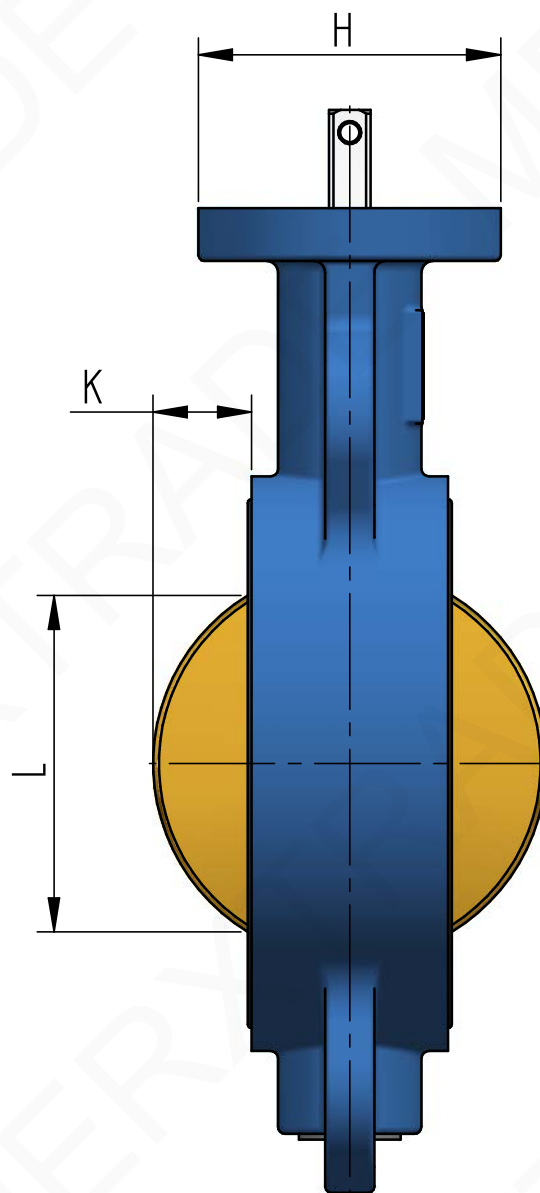
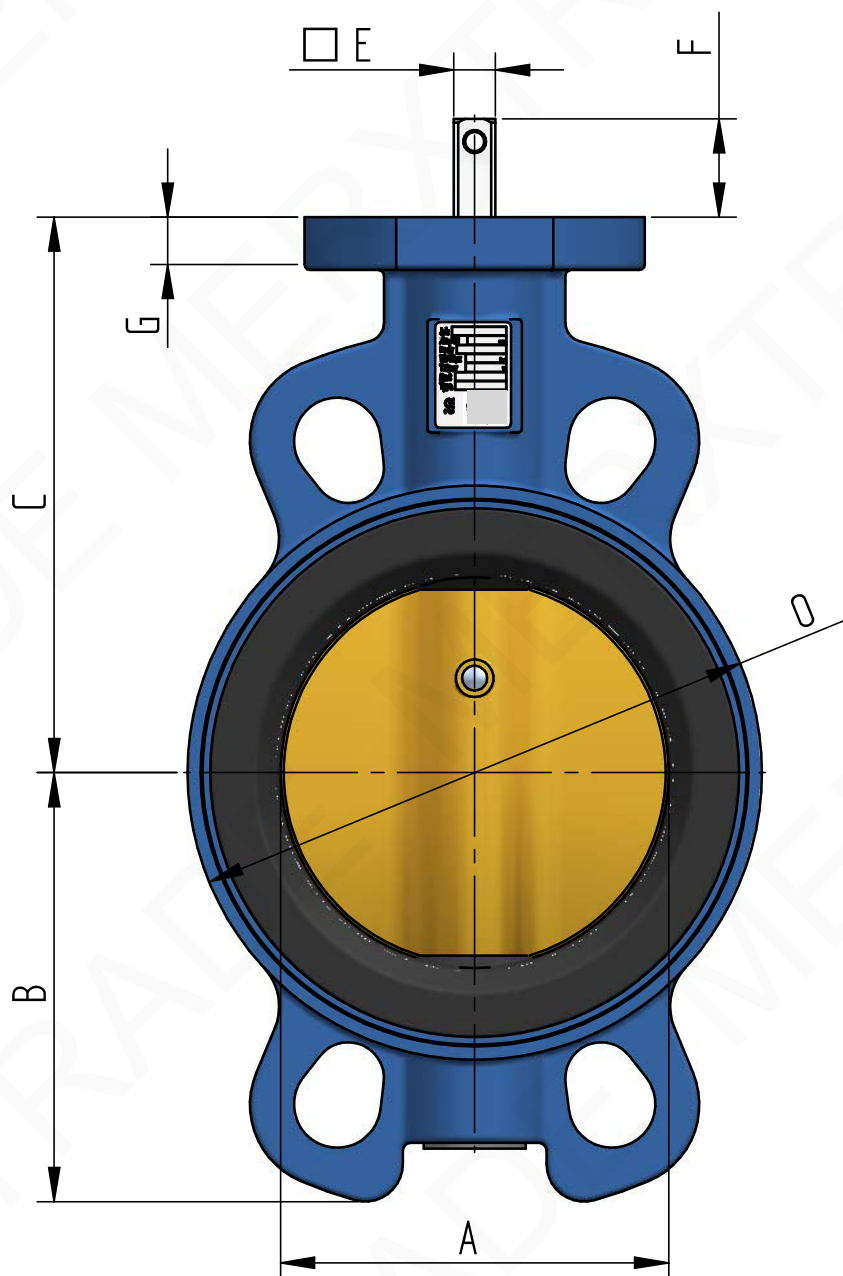


BUTTERFLY VALVE WAFER TYPE BARE SHAFT

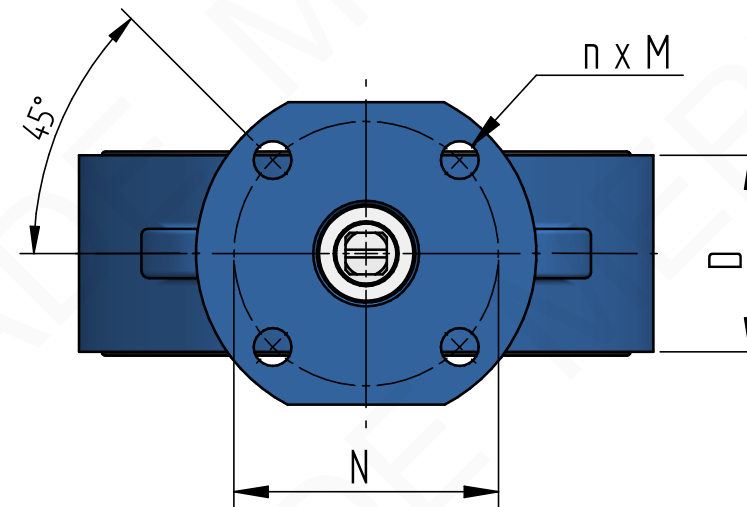


WAFER TYPE BARE SHAFT DN40 - DN150



Size DN40 to DN150, Design EN593
 Face to face acc. EN558.1 series 20
 Flange connections: DIN PN6-10-16-25
 ANSI B 16.5 Cl. 150#, JIS B 2211 5K, 10K
 Temperature -40/+250°C
 Various pressure ratings up to 25 bar
 Top flange according ISO 5211
 Vacuum to 1*10⁻³ 0.2 Torr absolute

Standard available materials :			
BODY	DISC	SHAFT	SEAT
EN-JS1030	BS 1400 AB2	SS 1.4122	NBR -15°C / +80°C
A216 WCB	EN-JS1030	SS 431	EPDM -30°C / +110°C
SS 1.4408	SS 1.4408	SS 1.4462	Viton -0°C / +200°C
BS 1400 AB2	SD 2507	SD F53	Silicone -20°C / +250°C

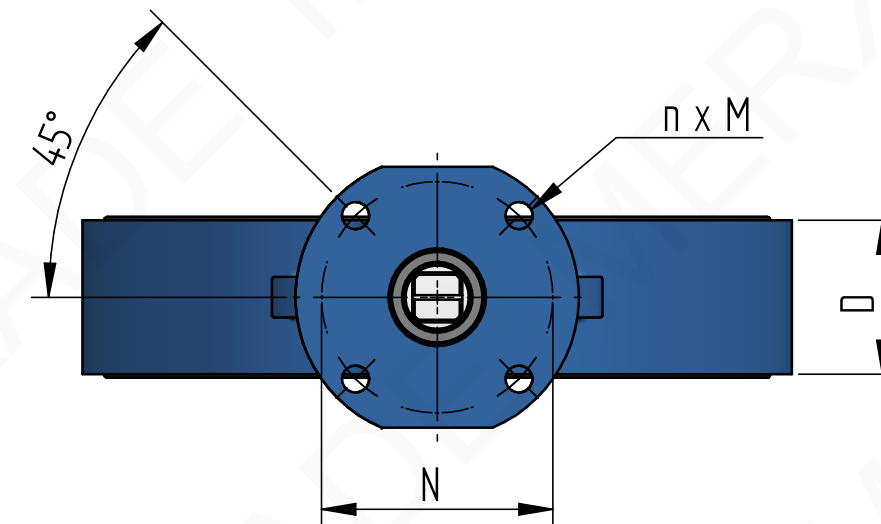
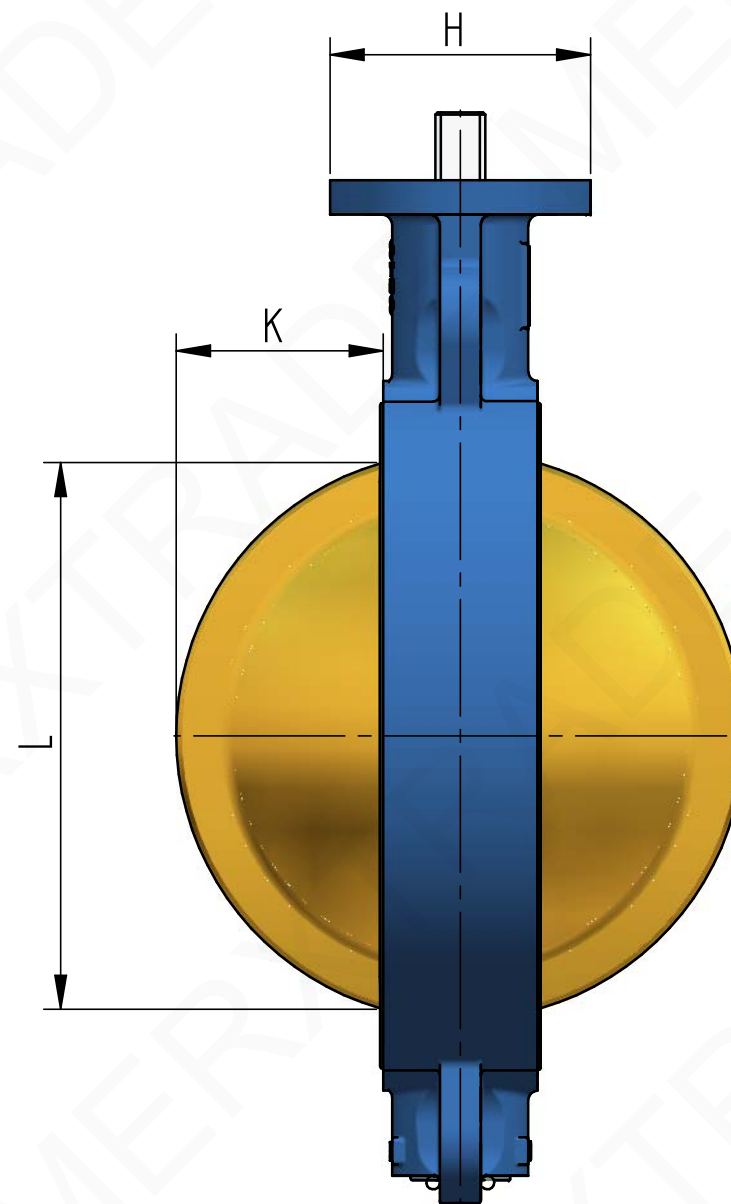
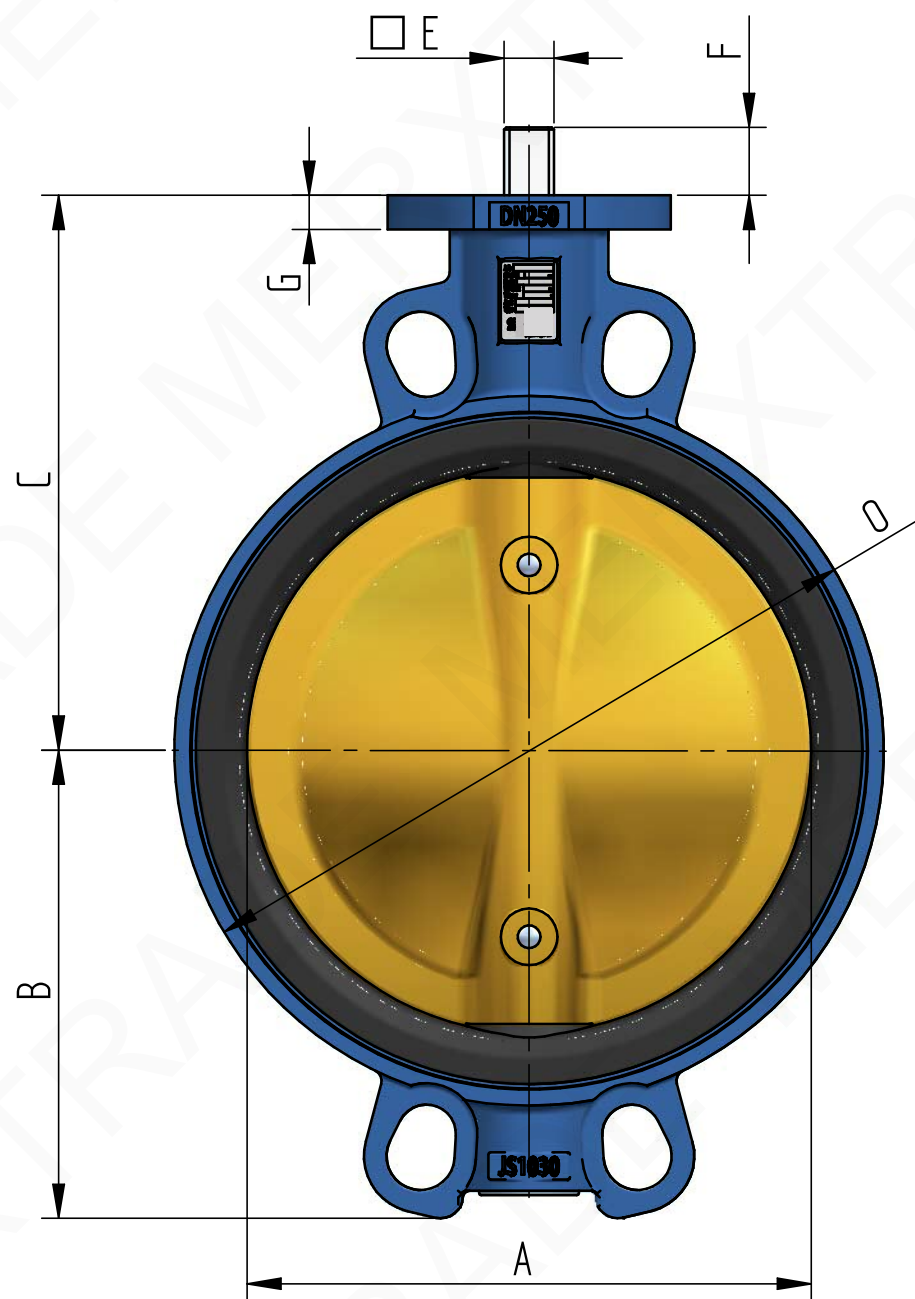


Size	A	B	C	D	E	F	G	Topflange			K	L	O	Weight ± Kg	
								ISO 5211	H	N					n x M
DN 40	41	58	113	33	[] 11	26	12	F07	ø90	ø70	4 x ø10	4	24	72	1.5
DN 50	52	65	118	43	[] 11	26	12	F07	ø90	ø70	4 x ø10	5	27	93	2.8
DN 65	63	89	126	46	[] 11	26	13	F07	ø90	ø70	4 x ø10	9	43	108	3.8
DN 80	78	96	133	46	[] 11	26	14	F07	ø90	ø70	4 x ø10	16	62	124	4.0
DN 100	103	113	147	52	[] 11	26	14	F07	ø90	ø70	4 x ø10	26	90	152	5.4
DN 125	125	130	160	56	[] 14	28	14	F07	ø90	ø70	4 x ø10	34	110	177	7.5
DN 150	155	146	180	56	[] 14	28	14	F07	ø90	ø70	4 x ø10	50	145	210	9.5

WAFER TYPE BARE SHAFT DN200 - DN400

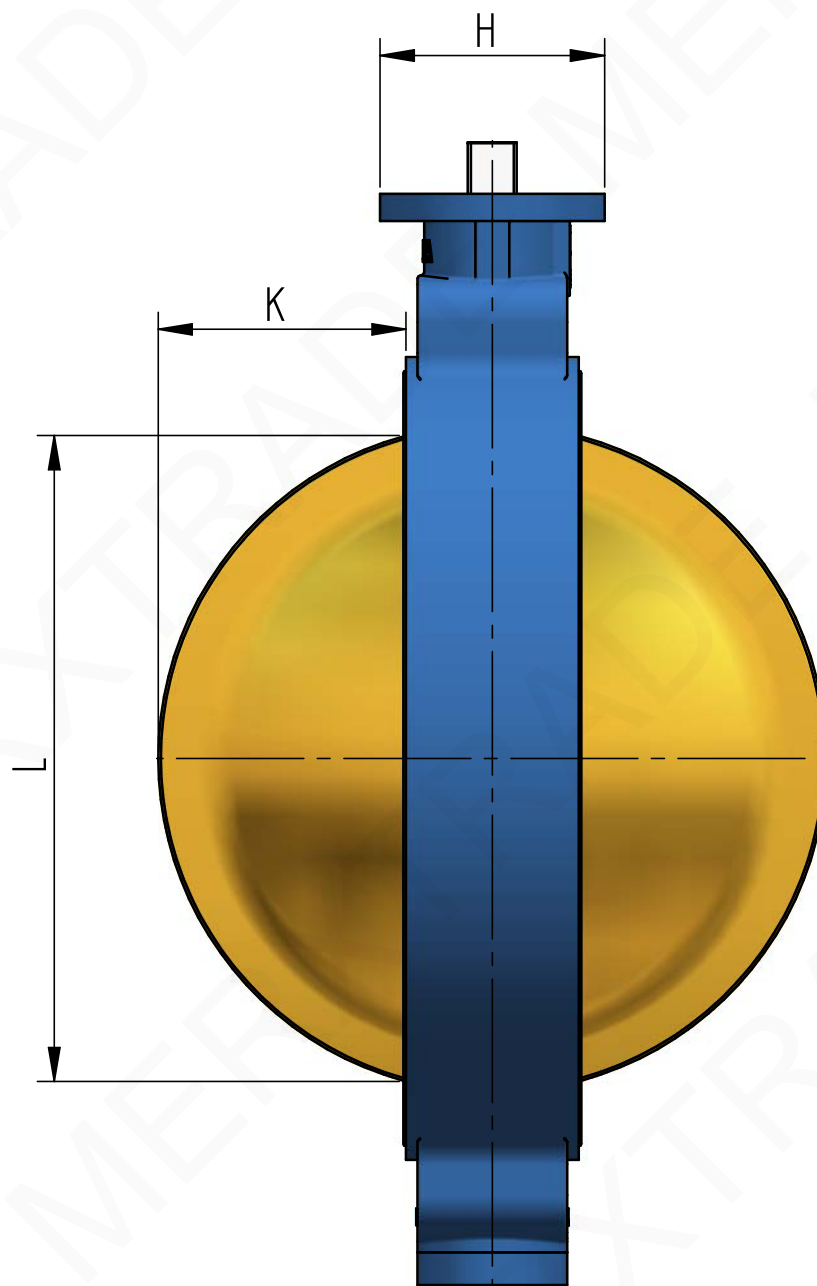
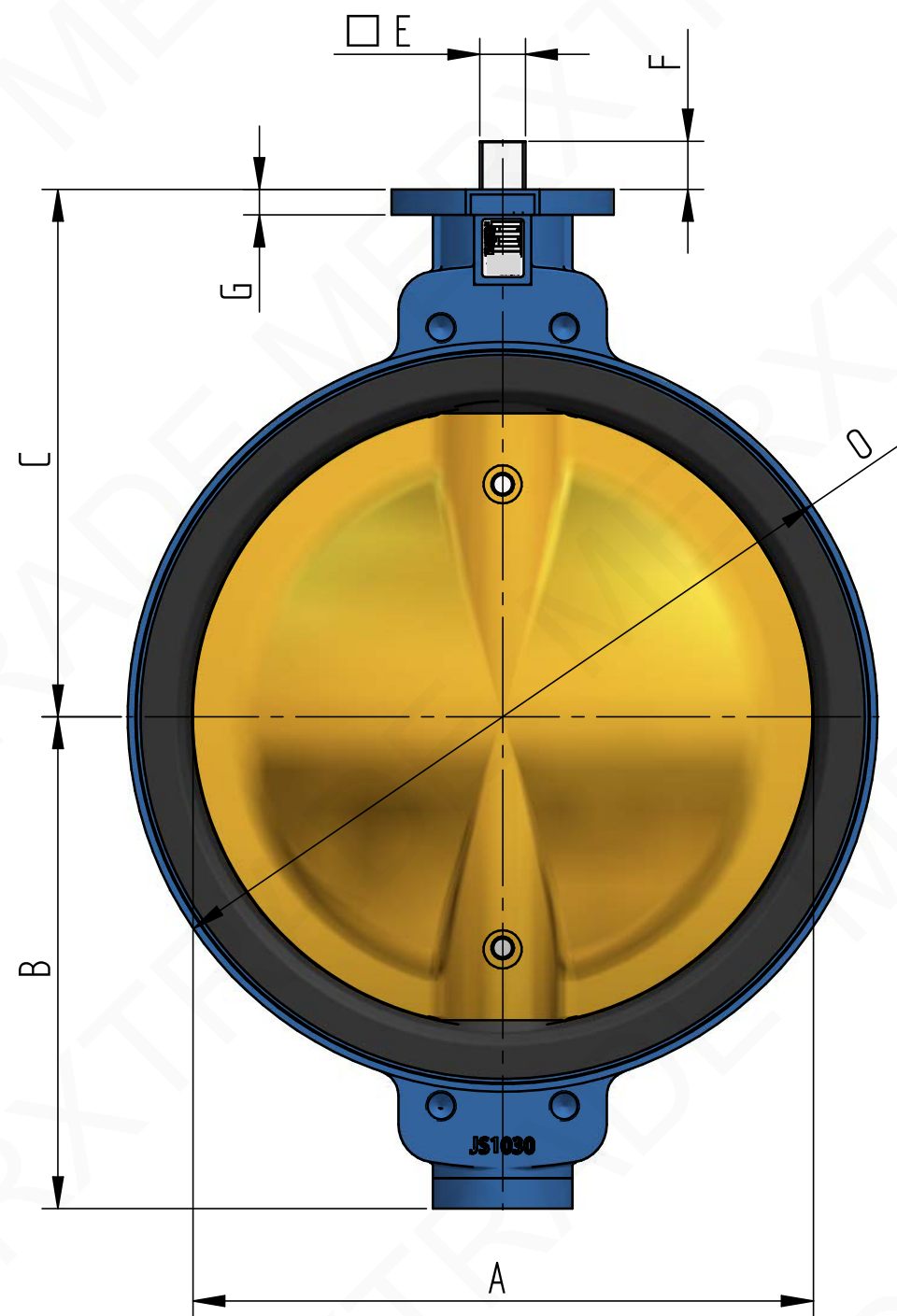
Size DN200 to DN400, Design EN593
 Face to face acc. EN558.1 series 20
 Flange connections: DIN PN6-10-16-25
 ANSI B 16.5 Cl. 150#, JIS B 2211 5K, 10K
 Temperature -40/+250°C
 Various pressure ratings up to 25 bar
 Top flange according ISO 5211
 Vacuum to 1*10⁻³ 0.2 Torr absolute

Standard available materials :			
BODY	DISC	SHAFT	SEAT
EN-JS1030	BS 1400 AB2	SS 1.4122	NBR -15°C / +80°C
A216 WCB	EN-JS1030	SS 431	EPDM -30°C / +110°C
SS 1.4408	SS 1.4408	SS 1.4462	Viton -0°C / +200°C
BS 1400 AB2	SD 2507	SD F53	Silicone -20°C / +250°C



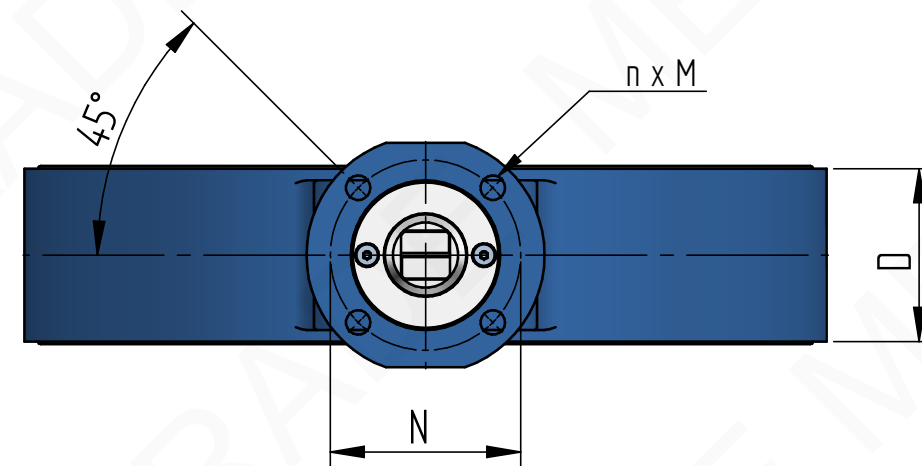
Size	A	B	C	D	E	F	G	Topflange				K	L	O	Weight ± Kg
								ISO 5211	H	N	n x M				
DN 200	201	177	204	60	[] 17	30	14	F07	∅90	∅70	4 x ∅10	71	193	265	14.0
DN 250	249	205	245	68	[] 22	30	15	F10	∅125	∅102	4 x ∅12	91	241	313	21.2
DN 300	302	239	270	78	[] 22	32	16	F10	∅125	∅102	4 x ∅12	112	291	371	33.4
DN 350	340	295	315	78	[] 27	29	20	F12	∅175	∅125	4 x ∅14	128	324	434	56.2
DN 400	397	319	350	102	[] 27	29	20	F12	∅175	∅125	4 x ∅14	144	376	480	75.0

WAFER TYPE BARE SHAFT DN450 - DN600



Size DN450 to DN600, Design EN593
 Face to face acc. EN558.1 series 20
 Flange connections: DIN PN6-10-16-25
 ANSI B 16.5 Cl. 150#, JIS B 2211 5K, 10K
 Temperature -40/+250°C
 Various pressure ratings up to 25 bar
 Top flange according ISO 5211
 Vacuum to 1*10⁻³ 0.2 Torr absolute

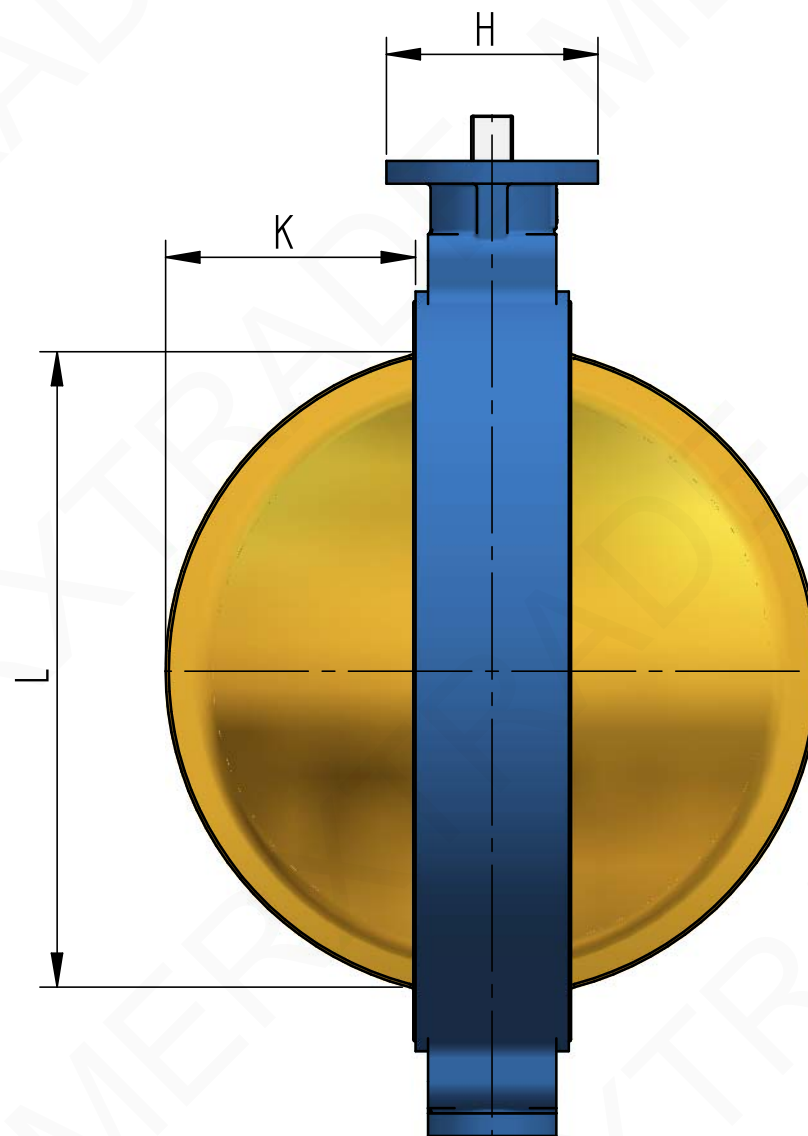
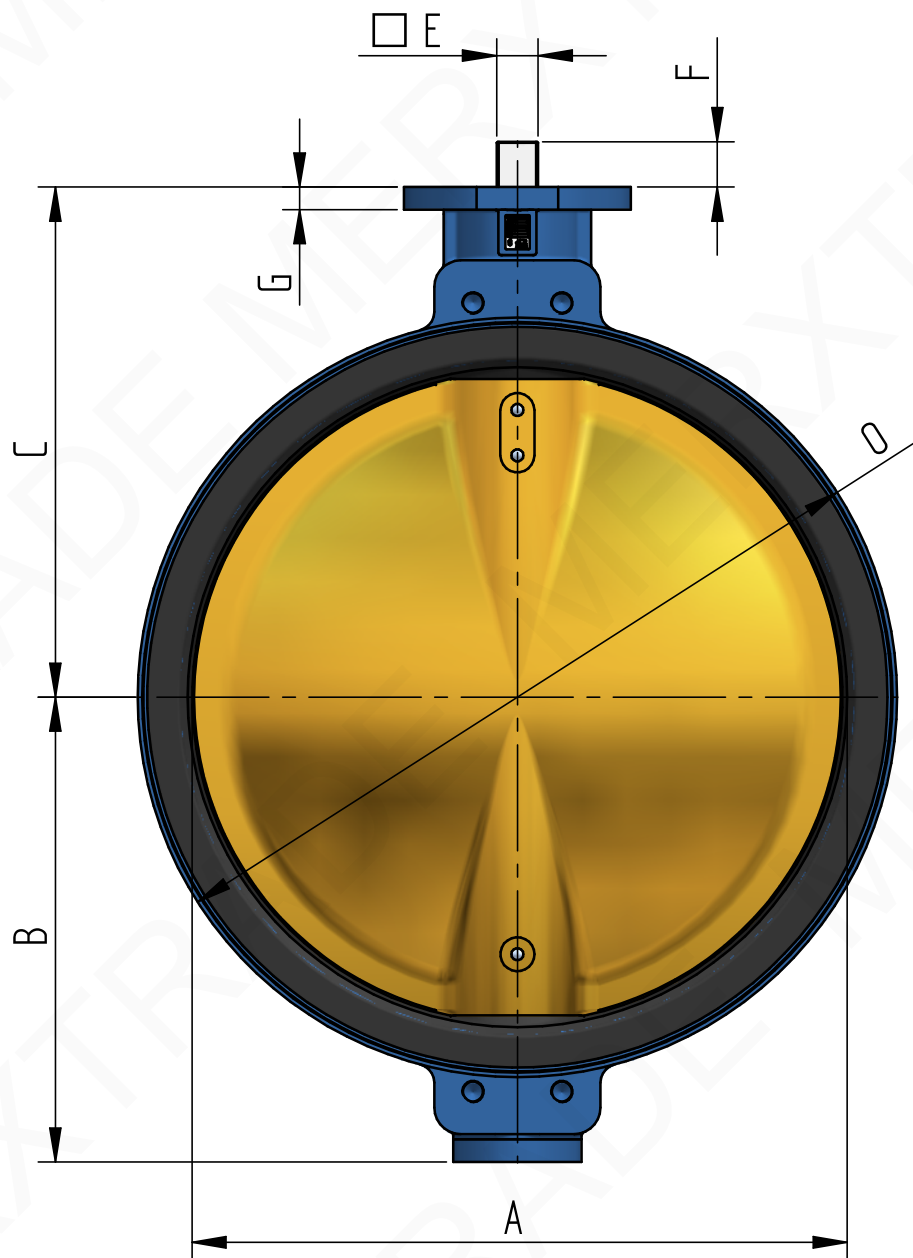
Standard available materials :			
BODY	DISC	SHAFT	SEAT
EN-JS1030	BS 1400 AB2	SS 1.4122	NBR -15°C / +80°C
A216 WCB	EN-JS1030	SS 431	EPDM -30°C / +110°C
SS 1.4408	SS 1.4408	SS 1.4462	Viton -0°C / +200°C
BS 1400 AB2	SD 2507	SD F53	Silicone -20°C / +250°C



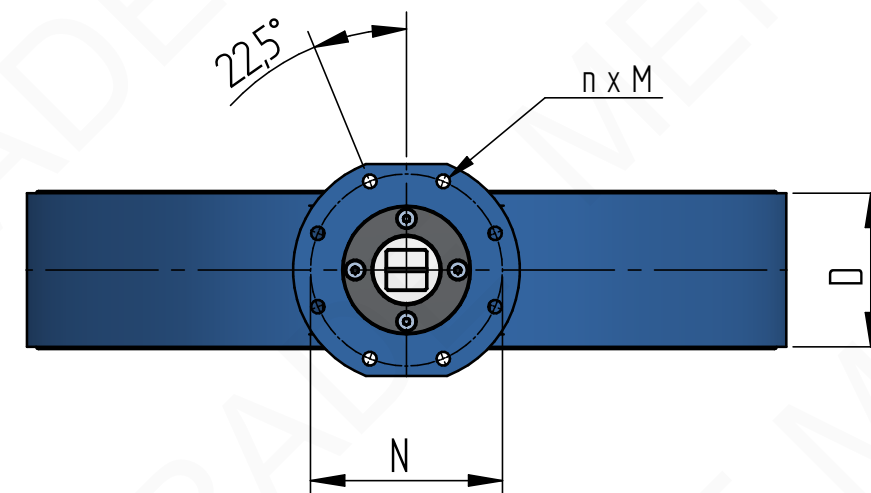
Size	A	B	C	D	E	F	G	Topflange				K	L	O	Weight ± Kg
								ISO 5211	H	N	n x M				
DN 450	438	352	375	114	[] 36	38	20	F14	ø175	ø140	4 x ø18	163	426	536	106
DN 500	489	387	415	127	[] 36	38	20	F14	ø175	ø140	4 x ø18	182	475	590	138
DN 600	590	453	562	154	[] 46	48	25	F16	ø210	ø165	4 x ø22	219	572	693	211

WAFER TYPE BARE SHAFT DN700 - DN1200

Size DN700 to DN1200, Design EN593
 Face to face acc. EN558.1 series 20
 Flange connections: DIN PN6-10-16-25
 ANSI B 16.5 Cl. 150#, JIS B 2211 5K, 10K
 Temperature -40/+250°C
 Various pressure ratings up to 16 bar
 Top flange according ISO 5211
 Vacuum to 1*10⁻³ 0.2 Torr absolute



Standard available materials :			
BODY	DISC	SHAFT	SEAT
EN-JS1030	BS 1400 AB2	SS 1.4122	NBR -15°C / +80°C
A216 WCB	EN-JS1030	SS 431	EPDM -30°C / +110°C
SS 1.4408	SS 1.4408	SS 1.4462	Viton -0°C / +200°C
BS 1400 AB2	SD 2507	SD F53	Silicone -20°C / +250°C



Size	A	B	C	D	E	F	G	Topflange				K	L	O	Weight ± Kg
								ISO 5211	H	N	n x M				
DN 700	692	491	560	165	[] 46	55	25	F16	∅175	∅140	4 x ∅18	265	676	800	275
DN 800	792	550	620	190	[] 55	55	30	F25	∅300	∅254	8 x ∅18	302	772	905	410
DN 900	861	615	675	203	[] 55	60	30	F25	∅300	∅254	8 x ∅18	330	840	1005	550
DN 1000	961	668	735	216	[] 55	60	30	F25	∅300	∅254	8 x ∅18	374	940	1115	700
DN 1200	1156	785	917	254	[] 60	60	35	F30	∅350	∅298	8 x ∅22	458	1142	1325	1250